

GLOSS Series

► GLOSS-5-85°

- 85° gloss measurement (for matt surfaces)
- Working distance 5 mm ± 10%
- Insensitive to outside light due to clocked white light
- Internal reference (thus optimum light power adjustment to the respective object surface)
- Teaching of up to 7 gloss degrees
- Parameterisable under Windows®
- RS232 interface (USB or Ethernet converter is available)
- 3 switching outputs (npn-/pnp-able, 100 mA, short circuit proof)
- Transmitter power adjustable or controllable (STAT or DYN)
- Averaging can be activated (over up to approx. 32000 values)
- 1 analog output (0...+10V or 4...20mA, selectable) parameterizable under Windows® proportional to gloss degree
- Digital input IN0 for teaching or optionally for scope function
- Digital input IN1 for the defined output of the analog signal
- Scratch-resistance glass cover of optics
- Compact and sturdy aluminum housing
- Calibration function (black glass) by means of calibration unit (optional)
- Offline unit available (optional)

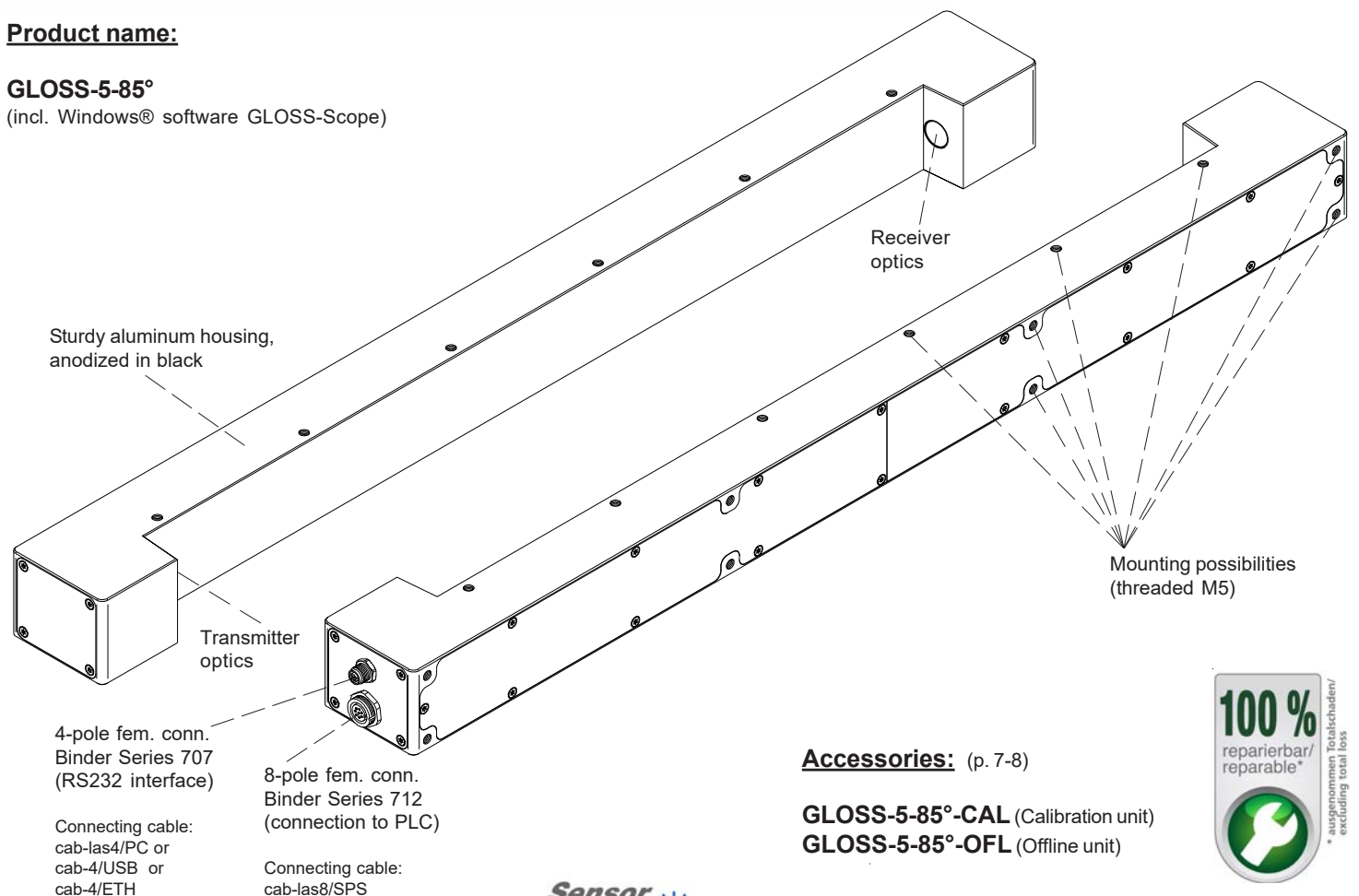


Design

Product name:

GLOSS-5-85°

(incl. Windows® software GLOSS-Scope)

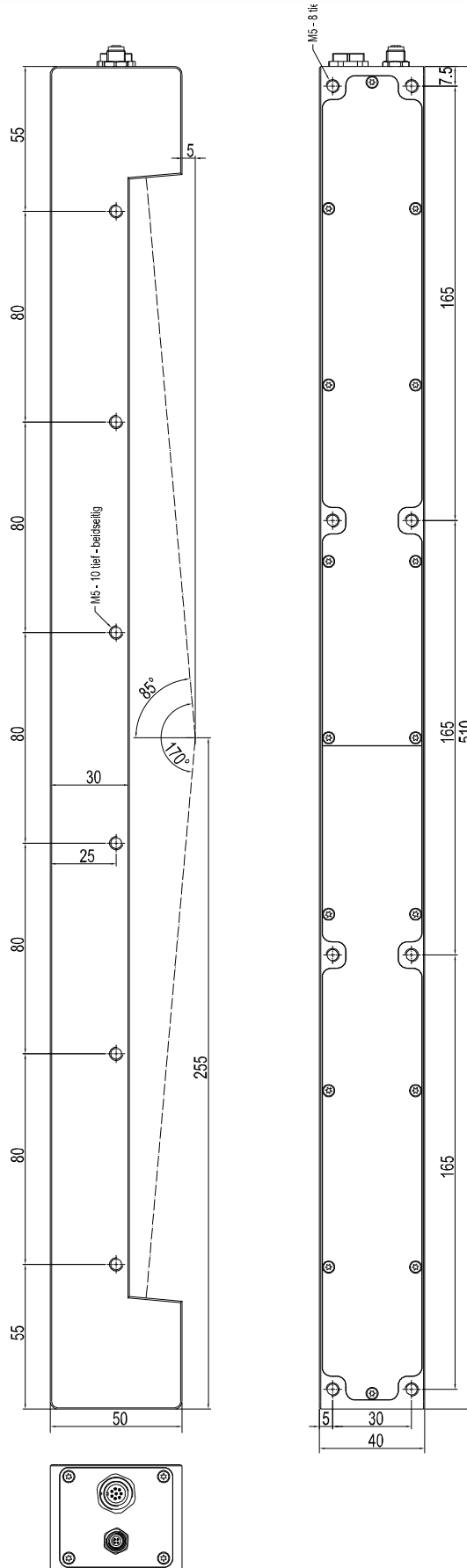




Technical Data

| Type | GLOSS-5-85° | |
|-------------------------------------|--|---|
| Voltage supply | +24VDC (± 10%), protected against polarity reversal, overload protected | |
| Current consumption | typ. 100 mA | |
| Max. switching current | 100 mA, short-circuit proof | |
| Interface | RS232, parameterisable under Windows® | |
| Digital inputs (2x) | digital input IN0: for teaching or optionally for scope function digital input IN1: for the defined output of the analog signal | |
| Digital outputs (3x) | OUT0 ... OUT2: Qinv or Q, (adjustable via PC): Qinv: npn bright-switching (nnp n.c.) / pnp dark-switching (pnp n.o.) Q: pnp bright-switching (pnp n.c.) / npn dark-switching (nnp n.o.) | |
| Analog output (1x) | voltage output 0V...+10V or current output 4mA...20mA (can be switched under Windows®) | |
| Analog band width | max. 90 kHz (-3 dB) | |
| Tolerance range for digital outputs | parameterisable under Windows® | |
| Switching state indication | 2 yellow LED visualize the physical state of the outputs OUT0 and OUT1 | |
| Scan frequency | LED mode AC (depends on parameterization): Frequency [Hz] Digital outputs Analog output Max. 22 100 Off Off Max. 22 000 On Off Max. 20 300 Off On Max. 20 200 On On Measurements were made with the smallest gain at the receiver (AMP1). At the highest gain (AMP8), the frequency is reduced by a factor of 5. | LED mode DC (depends on parameterization): Frequency [Hz] Digital outputs Analog output Max. 61 750 Off Off Max. 52 800 On Off Max. 49 700 Off On Max. 43 700 On On The frequency is independent of the gain set at the receiver. |
| Switching frequency | max. 60 kHz | |
| Averaging | max. 32768 values, adjustable under Windows® | |
| Transmitter (light source) | white light LED | |
| Measurement range | 85°: 0...200 GU | |
| Reproducibility | 0...100 GU: ± 0,2 GU 100...200 GU: ± 0,2 % | |
| Working distance | typ. 5 mm ± 10 % | |
| Size of light spot | GLOSS-5-85° : at a working distance of 5 mm: typ. 10 mm x 170 mm (elliptical) | |
| Control mode for light source | AC operation (LED MODE-AC) or DC operation (LED MODE-DC), can be switched via PC software | |
| Transmitter power | parameterisable under Windows (STATIC or DYNAMIC) | |
| Optical filter | day light filter (KG2) | |
| Pulse lengthening | 0 ... 100 ms (parameterisable under Windows®) | |
| Ambient light | up to 5000 Lux | |
| Housing dimensions | LxWxH approx. 510 mm x 50 mm x 40 mm | |
| Housing material | aluminum, anodized in black | |
| Enclosure rating | IP67 | |
| Connecting cables | to PLC: cab-las8/SPS or cab-las8/SPS-w and cab-las4/SPS to PC/RS232 interface: cab-las5/PC or cab-las5/PC-w to PC/USB interface: cab-4/USB or cab-4/USB-w to PC/Ethernet interface: cab-4/ETH | |
| Type of connector | connection to PLC: 8-pole female connector Binder Series 712 connection to PC: 4-pole female connector Binder Series 707 | |
| Operating temperature range | -20°C ... +55°C | |
| Storage temperature range | -20°C ... +85°C | |
| EMC test acc. to | DIN EN 60947-5-2 | |

Dimensions



All dimensions in mm

Connector Assignment

Connection to PLC:**8-pole fem. connector Binder Series 712**

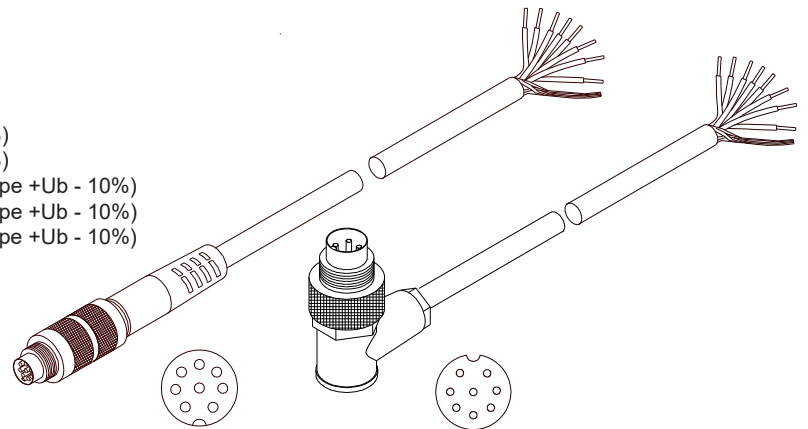
| Pin: | Color: | Assignment: |
|------|---------------|--|
| 1 | white | GND (0V) |
| 2 | brown | +24VDC ($\pm 10\%$) |
| 3 | green | IN0 (digital 0: 0 ... 1V, digital 1: +Ub - 10%) |
| 4 | yellow | IN1 (digital 0: 0 ... 1V, digital 1: +Ub - 10%) |
| 5 | grey | OUT0 (digital 0: Type 0 ... 1V, digital 1: Type +Ub - 10%) |
| 6 | pink or black | OUT1 (digital 0: Type 0 ... 1V, digital 1: Type +Ub - 10%) |
| 7 | blue | OUT2 (digital 0: Type 0 ... 1V, digital 1: Type +Ub - 10%) |
| 8 | red | ANALOG (0...+10V or 4 ... 20mA) |

Connecting cable:

cab-las8/SPS-(length)

cab-las8/SPS-w-(length) (angle type, 90°)

(standard length 2m)

cab-las8/SPS-...
(max. length 25m,
outer jacket: PUR)cab-las8/SPS-w-...
(max. length 25m,
outer jacket: PUR)**Connection to PC:****4-pol. fem. connector Binder Series 707**

| Pin: | Assignment: |
|------|-------------------|
| 1 | +24VDC (+Ub, OUT) |
| 2 | GND (0V) |
| 3 | RxD |
| 4 | TxD |

Connection via RS232 interface at the PC:**Connecting cable:**

cab-las4/PC-(length)

cab-las4/PC-w-(length) (angle type 90°)

(standard length 2m)

alternative:**Connection via USB interface at the PC:**

USB converter (incl. driver software):

cab-4/USB-(length)

cab-4/USB-w-(length) (angle type 90°)

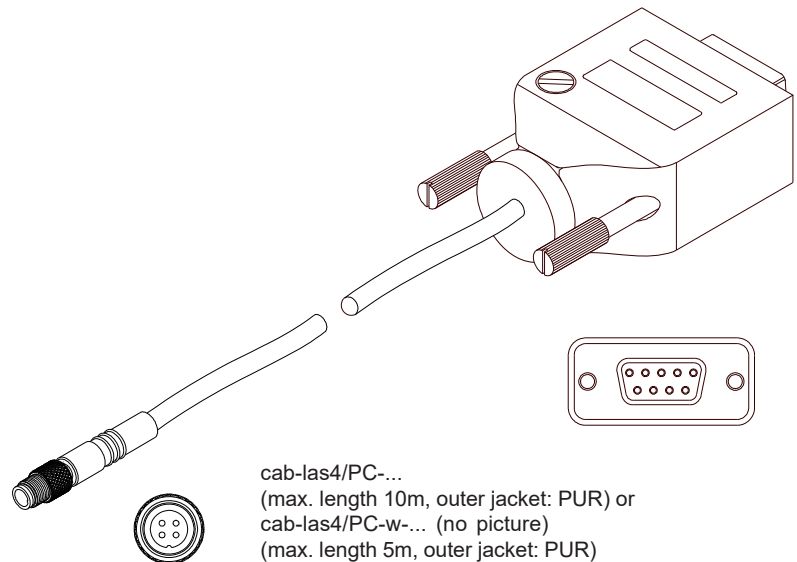
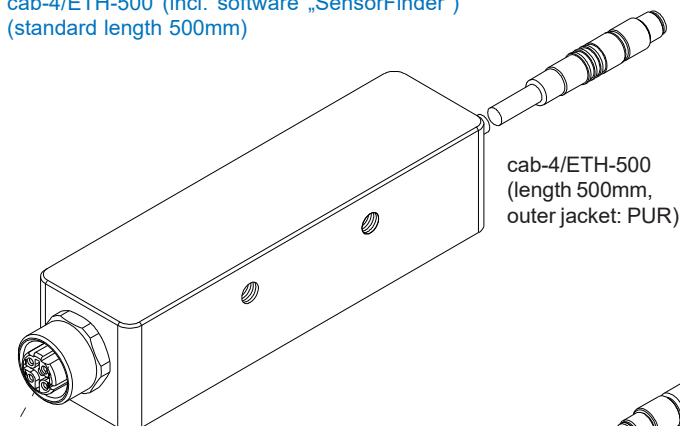
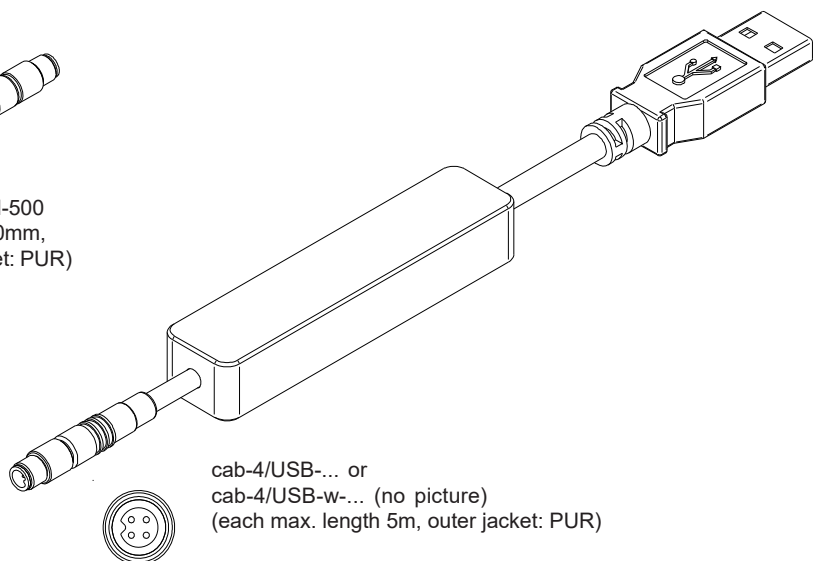
(standard length 2m)

alternative:**Connection to local network via Ethernet bus:**

Ethernet converter (incl. software „SensorFinder“):

cab-4/ETH-500 (incl. software „SensorFinder“)

(standard length 500mm)

cab-las4/PC-...
(max. length 10m, outer jacket: PUR) or
cab-las4/PC-w-... (no picture)
(max. length 5m, outer jacket: PUR)cab-4/ETH-500
(length 500mm,
outer jacket: PUR)cab-4/USB-... or
cab-4/USB-w-... (no picture)
(each max. length 5m, outer jacket: PUR)

4-pole M12 fem. connector (D-coded) for
connection of an external CAT5 cable, e.g.
cab-eth/M12D-RJ45-fx-(length)
(available in length 2m, 5m, 10m, or 20m)

**Measuring Angles****For the gloss detection sensors of GLOSS Series different standard measuring angles are available:**

- 20°: For high-gloss surfaces.
A 20° gloss sensor is used if gloss grades >70GU are to be determined.
That is, if the gloss grade measured with a 60° gloss meter is >70GU, a 20° gloss sensor is used.
- 45°: TAPPI standard (paper industry) for glossy surfaces.
- 60°: For semi-gloss surfaces.
A 60° gloss sensor is used if gloss grades >10GU to <70GU are to be determined.
This variant is an "all-rounder". The 60° gloss sensor is therefore standard for most applications.
- 75°: TAPPI standard (paper industry) for matt surfaces.
- 85°: For matt surfaces.
An 85° gloss sensor is used when gloss grades <10GU are to be determined.
That is, if the gloss grade measured with a 60° gloss meter is <10GU, an 85° gloss sensor is used.

[GU = Gloss Unit]

**Measuring Principle****Measuring principle of the gloss detection sensor GLOSS-...:**

A white-light LED projects a white light spot onto the surface to be inspected. A part of the light that is directly reflected from the measuring object is directed onto a receiver by the receiver optics (the receiver optics is arranged at the same angle from the vertical as the transmitter optics). Furthermore, diffuse reflection is determined by means of an additional optics. Signal acquisition is performed with 12 bit.

The GLOSS sensor optionally can be „taught“ up to 7 gloss levels or norm vectors.
The gloss level or the detected norm vector is provided at the digital outputs.
In addition the gloss level also is provided in analog form from 0 to 10V or from 4mA to 20mA.

A digital input allows external „teaching“ of the sensor.
As an alternative the sensor also can be triggered with the same input.
An additional input allows the „freezing“ of the analog output signal upon a positive input edge.

The GLOSS sensor allows highly flexible signal acquisition. The sensor, for example, can be operated in alternating-light mode (AC mode), which means the sensor is not influenced by external light, or in constant-light mode (DC mode), which provides outstanding high-speed sensor operation. An OFF function deactivates the sensor's integrated light source. With the stepless adjustment of the integrated light source, the selectable gain of the receiver signal, and an INTEGRAL function the sensor can be adjusted to almost any surface.

The sensor must be calibrated for gloss level detection. For this purpose a reference surface is required which by definition has a gloss level of 100GU (Gloss Units). Calibration then is performed with the PC software. The sensor also can be calibrated to foreign systems, which can be optionally activated in the PC software.

The GLOSS series sensors are factory calibrated. When establishing the connection, the date of the next calibration is displayed in the status window in the CONNECT tab. For continuously accurate measurement results, we recommend having the calibration renewed every 18 months and sending in the sensors for calibration.

Parameters and measurement values can be exchanged between PC and sensor either through RS232 or Ethernet (using an Ethernet converter). Through the interface all the parameters can be stored in the non-volatile EEPROM of the sensor.

The PC software facilitates the parameterisation, diagnostics, and adjustment of the sensor system (oscilloscope function). The software furthermore provides a data recorder function that automatically records data and stores them on the hard disk of the PC.

GLOSS sensors are temperature-compensated over a range of 0°C to 80°C.

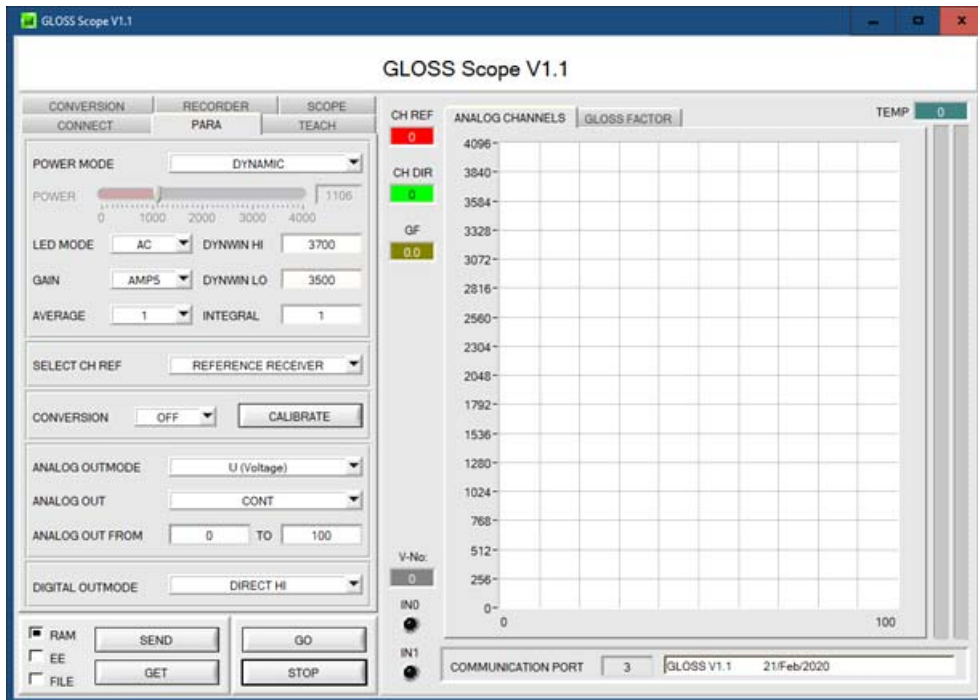
Possible firmware updates can be easily performed through the RS232 interface, even with the sensor system in installed condition.

When parameterisation is finished, the color sensor continues to operate with the current parameters in STAND-ALONE mode without a PC.

Parameterization

Windows® user interface:

(The current software version is available for download on our website.)



The gloss sensor is parameterized under Windows® with the GLOSS-Scope software. The Windows® user interface facilitates the teach-in process at the sensor and supports the operator in the task of adjustment and commissioning of the sensor.

The software provides various display elements and a graphic window for the visualisation of all the data that are important for parameterisation.

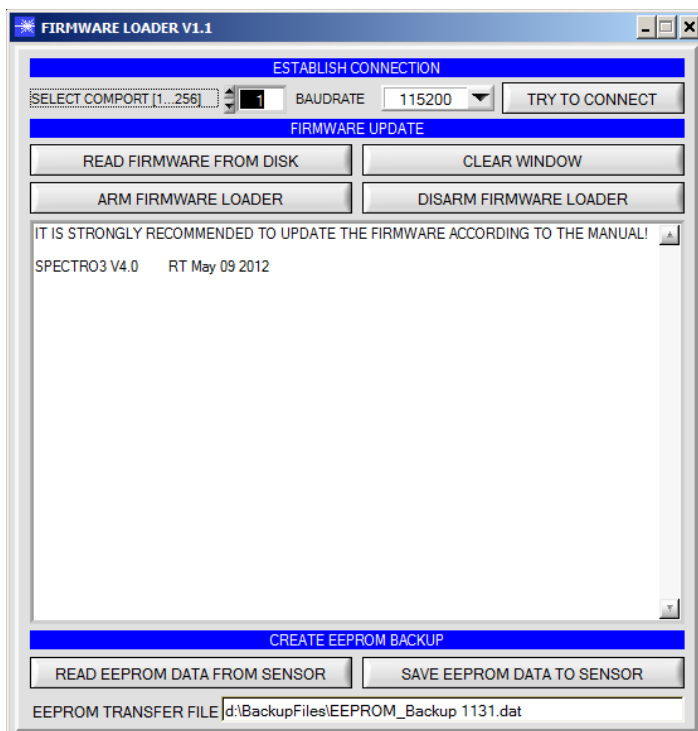
In the CONVERSION tab a certain conversion value can be assigned to the gloss factor GF signal.

The GLOSS-Scope software features a data recorder (RECORDER tab).

The SCOPE tab visualizes an oscilloscope.

Firmware Update

Firmware update by means of the software „FirmwareLoader“:



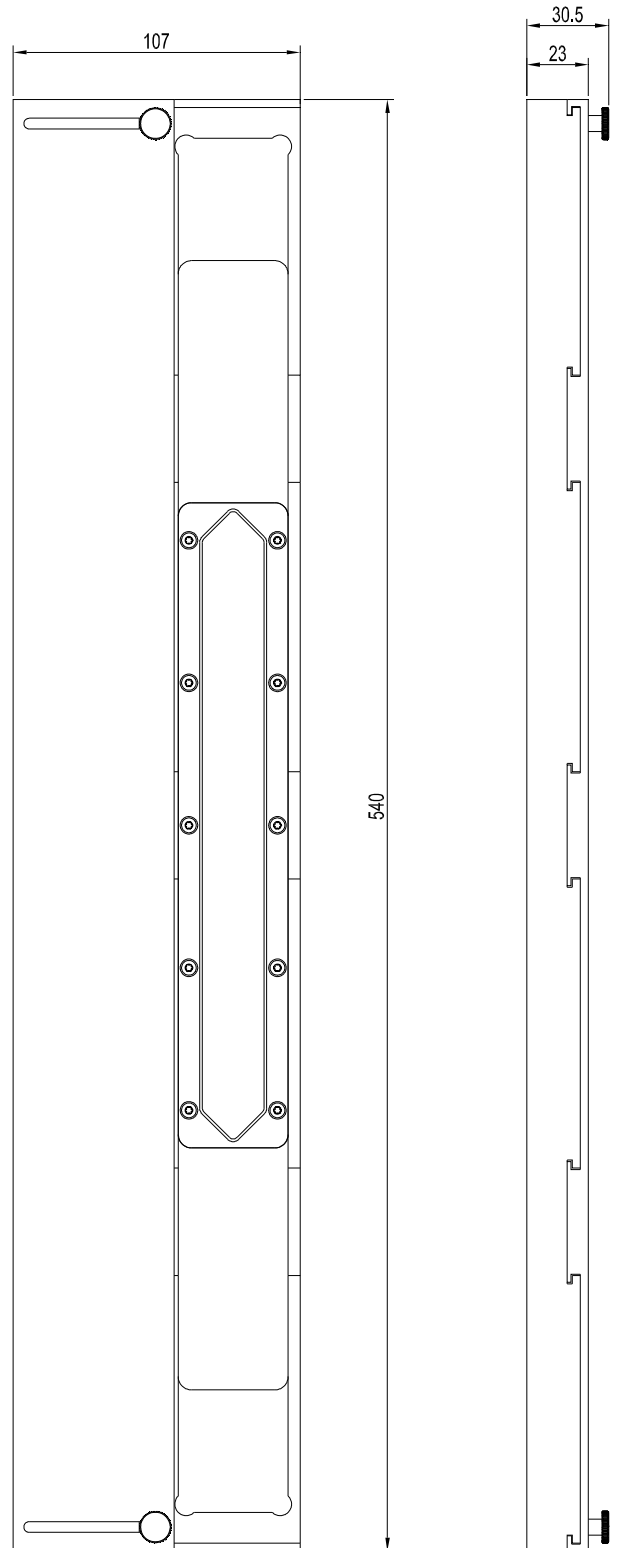
The software „Firmware Loader“ allows the user to perform an automatic firmware update. The update will be carried out through the RS232 interface.

An initialisation file (xxx.ini) and a firmware file (xxx.elf.S) are required for performing a firmware update. These files can be obtained from your supplier. In some cases an additional firmware file for the program memory (xxx.elf.p.S) is also needed, and this file will be automatically provided together with the other two files.



Calibration Unit

GLOSS-5-85°-CAL
(Calibration unit, optional)

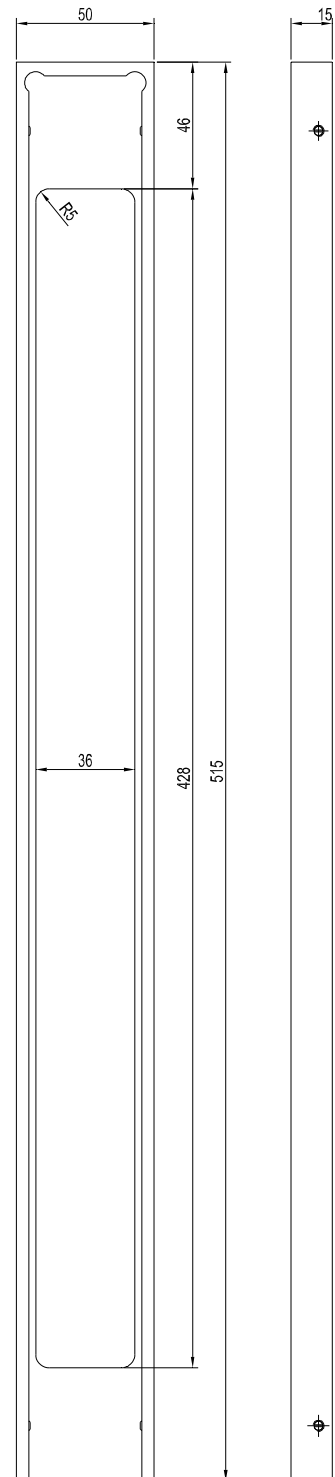
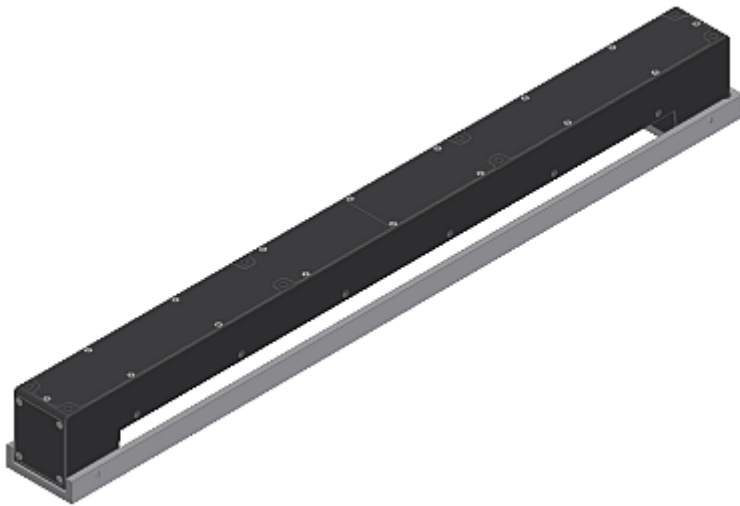
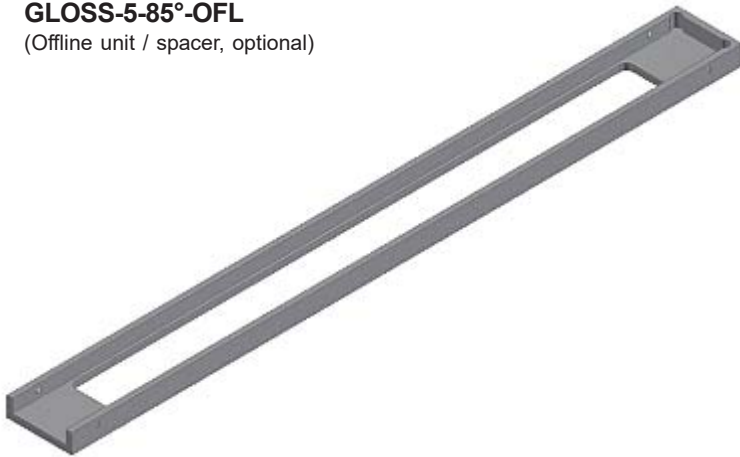


All dimensions in mm



Offline Unit

GLOSS-5-85°-OFL
(Offline unit / spacer, optional)



All dimensions in mm