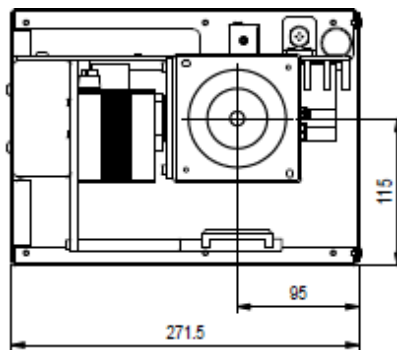
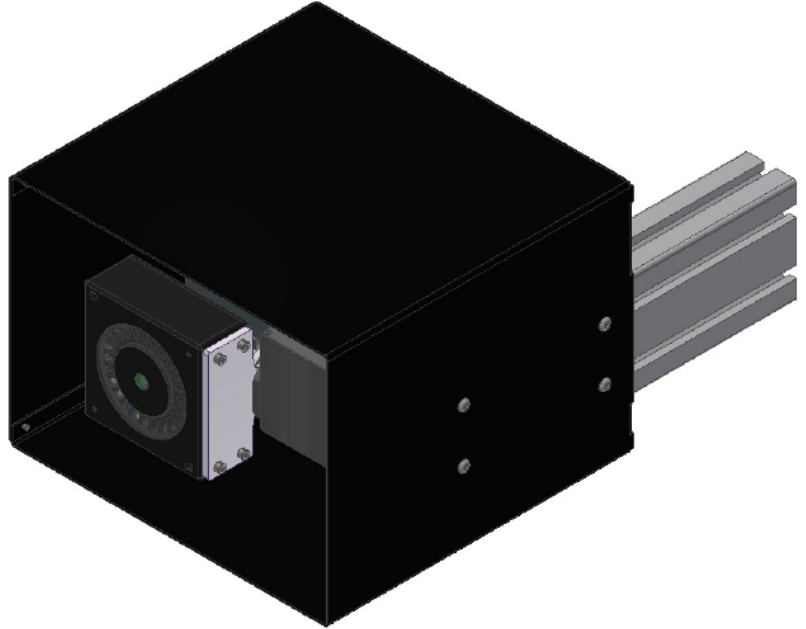


1. Color inline measurement sensor with on board white balance calibration unit type SPECTRO-3-28-45°/0°-ICAL

The inline color measurement sensor type **SPECTRO-3-28-45°/0°-ICAL** comes with an integrated white balance calibration unit. The white balance can be activated with an +24V input signal e.g. from a PLC, at this, the color sensor will be turned by 90° and directed onto a white ceramic tile, afterwards the sensor takes again the starting position.



Aluminiumprofil 45x90L I=300 (411992432) Syskomp kompatibel mit Bosch-Rexroth Profilen

